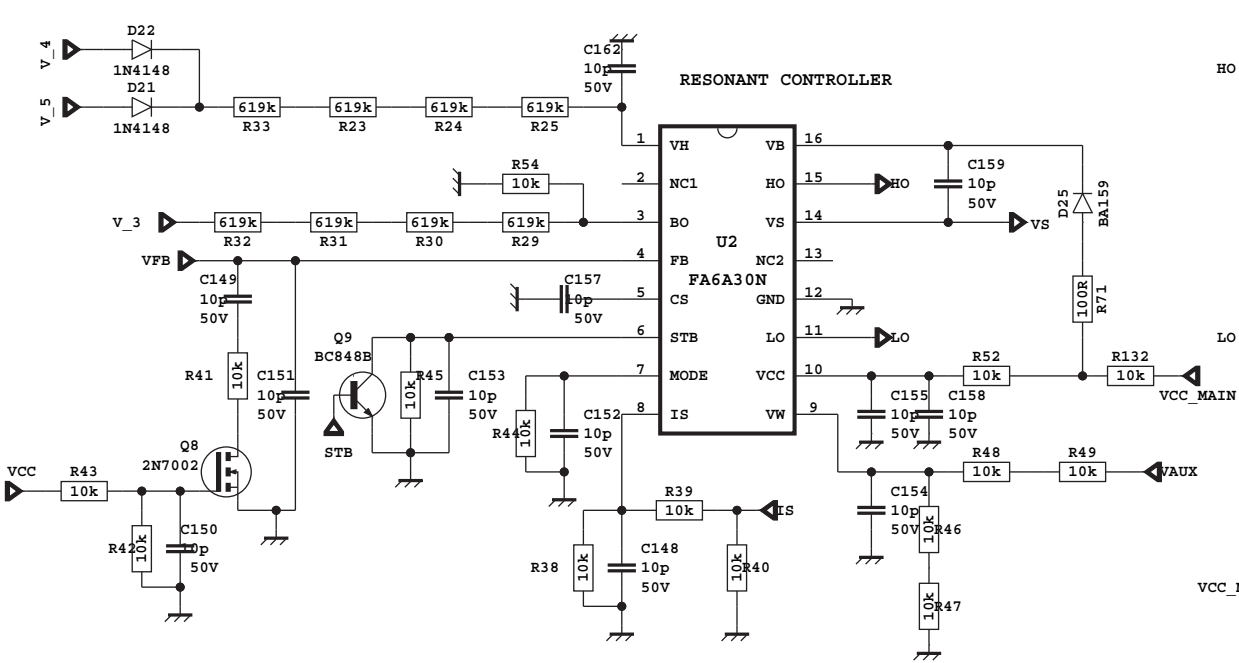
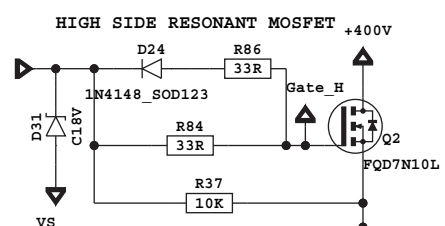


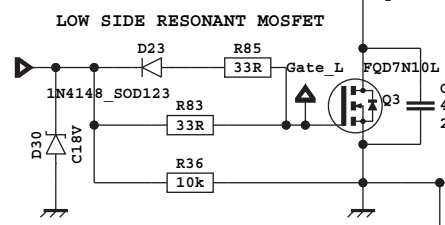
RESONANT CONTROLLER



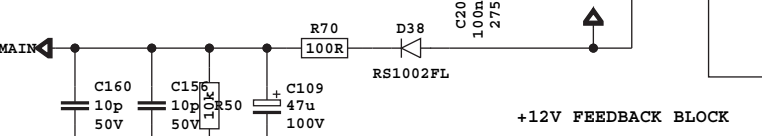
HIGH SIDE RESONANT MOSFET



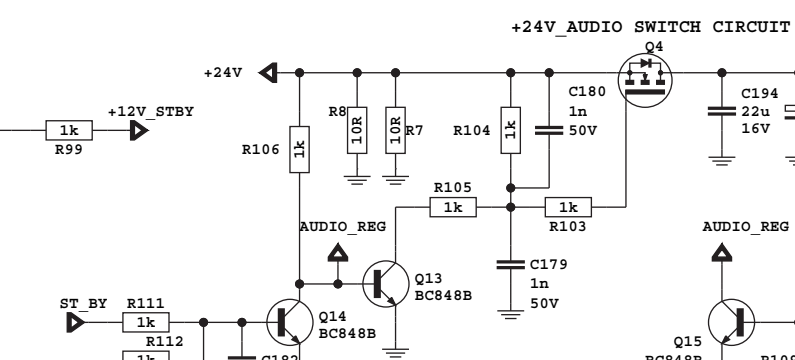
LOW SIDE RESONANT MOSFET



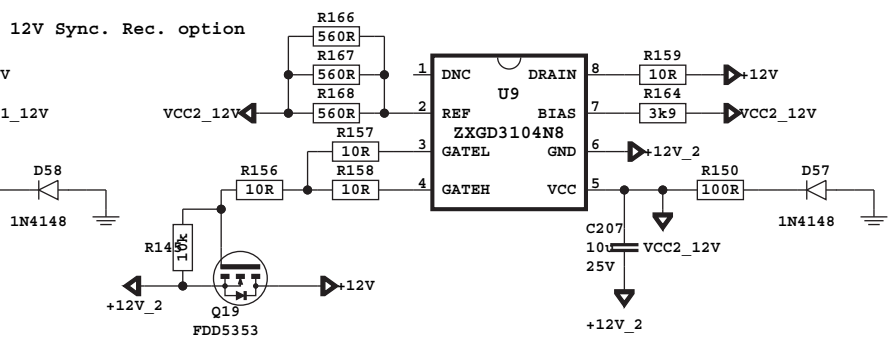
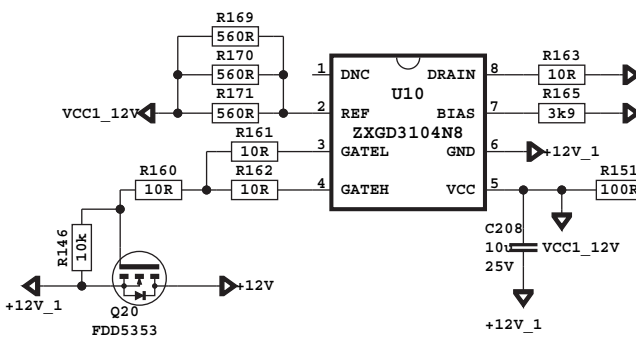
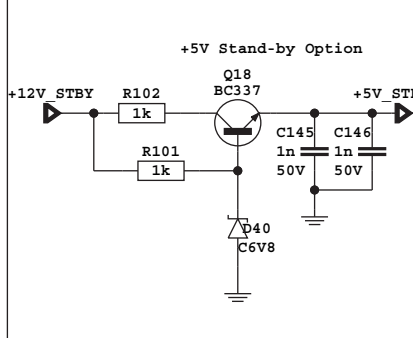
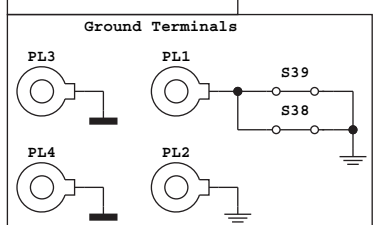
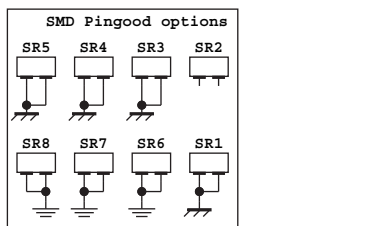
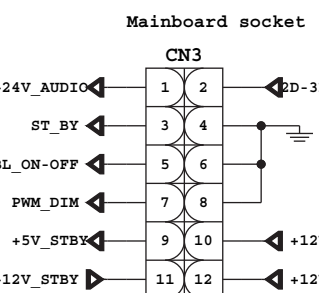
+12V FEEDBACK BLOCK



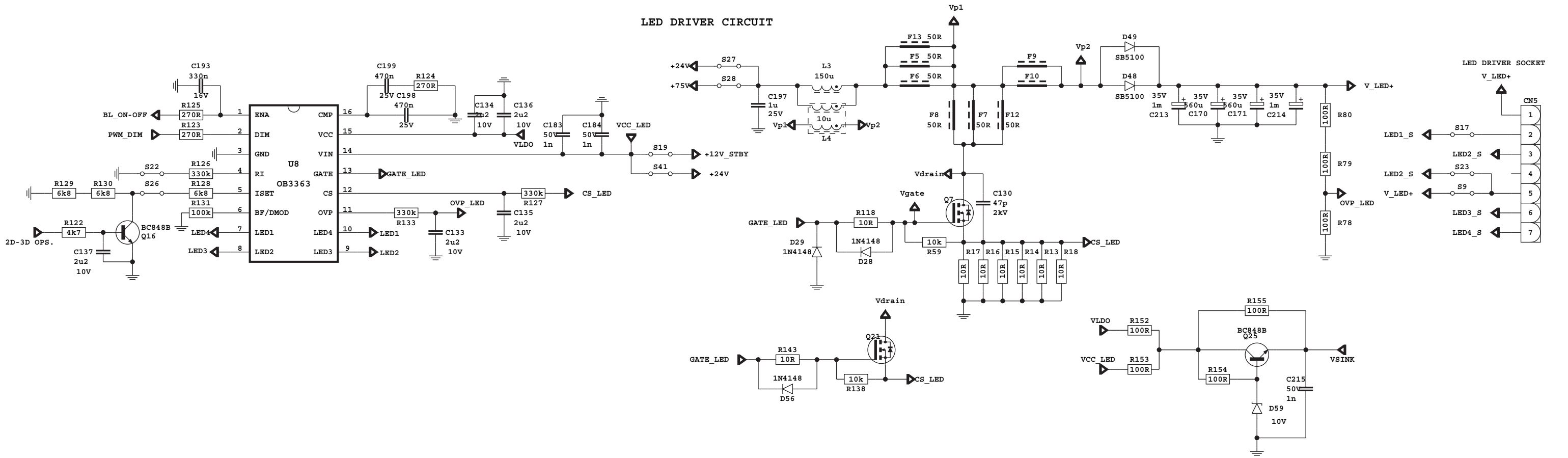
+24V AUDIO SWITCH CIRCUIT



Netzeil TECHNIVISION UHD A



LED DRIVER CIRCUIT



ZENER OPS.

WO/CONVERTER SOKET OPS.

LED DRIVER DÖNUS OPS.

