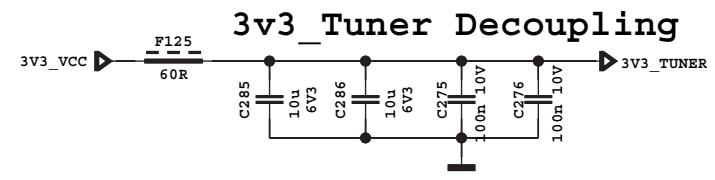
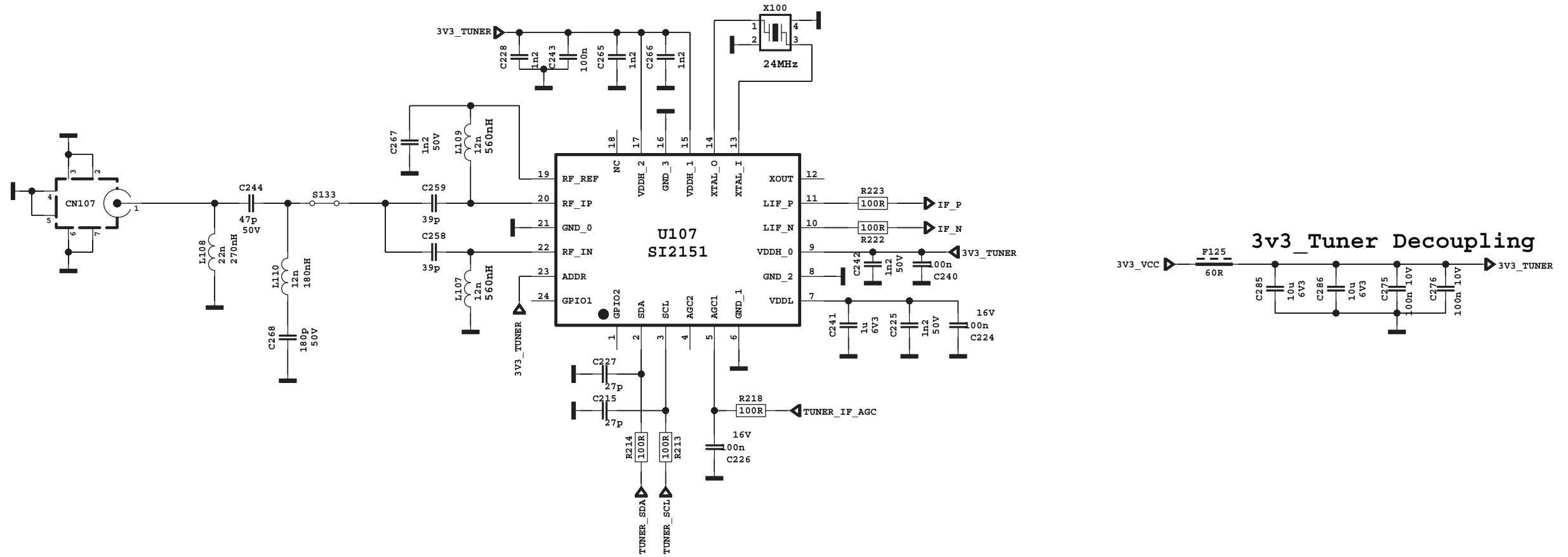
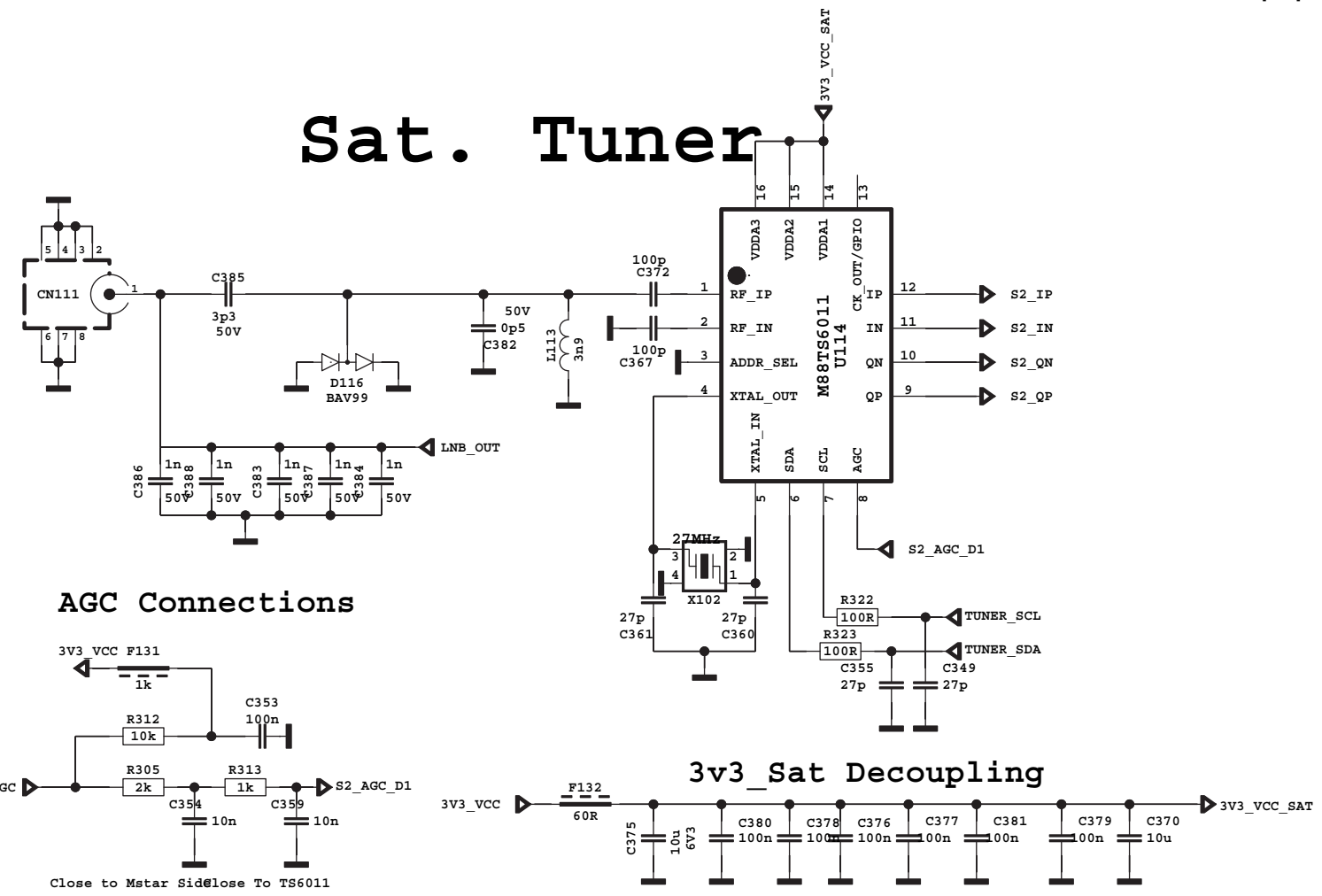


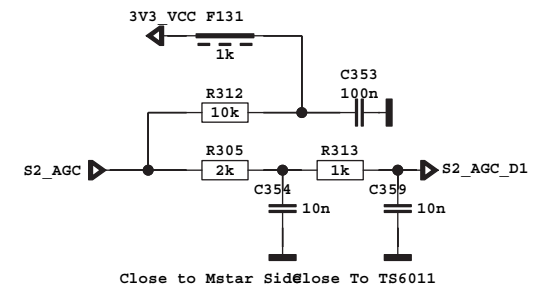
# Tuner



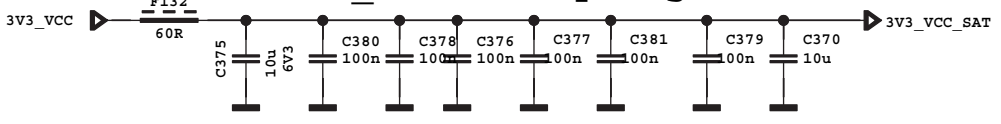
# Sat. Tuner



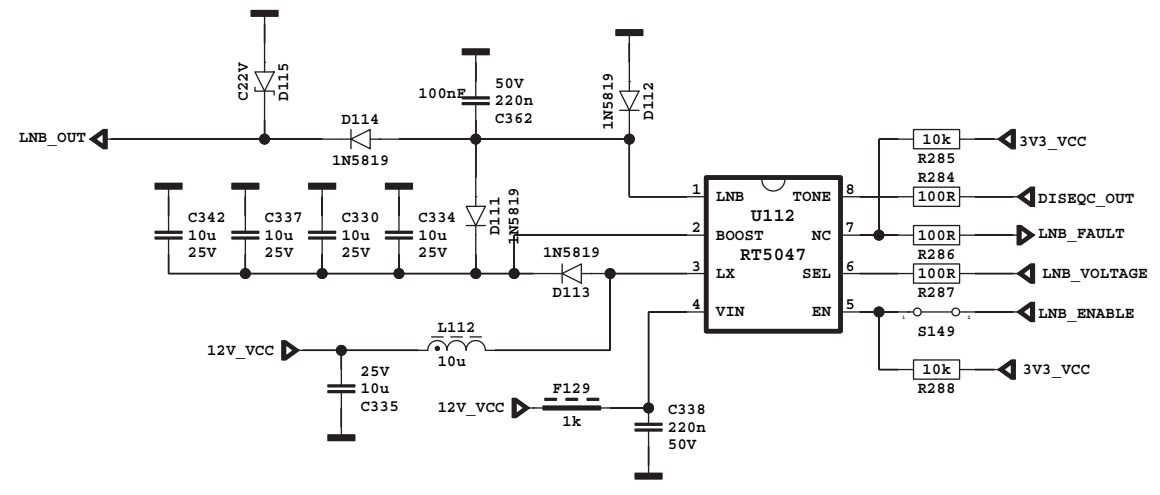
## AGC Connections



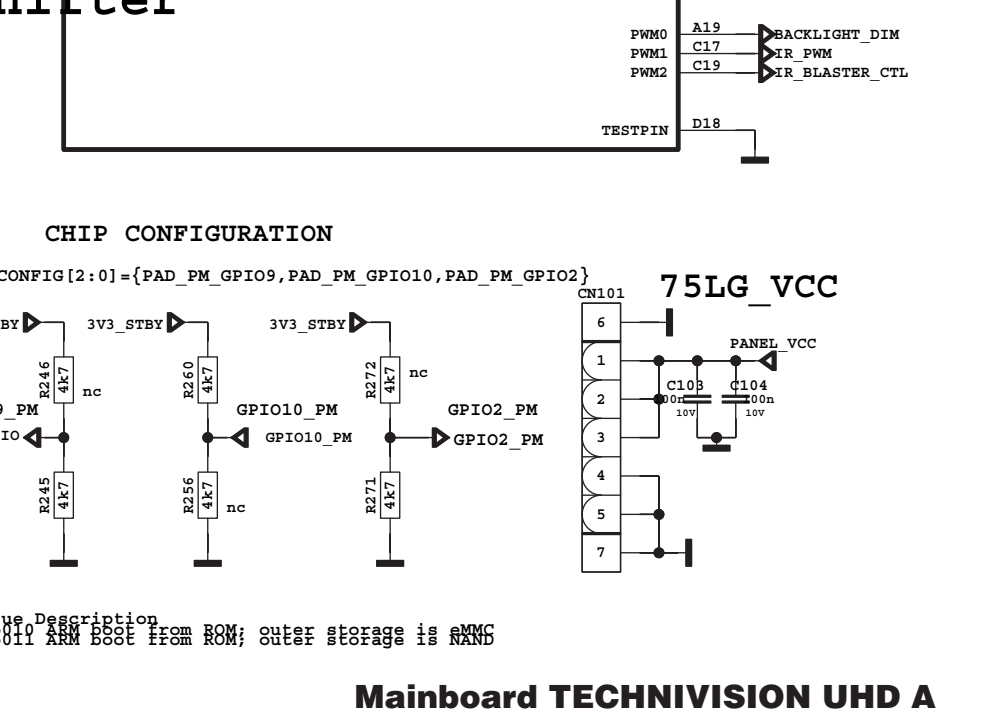
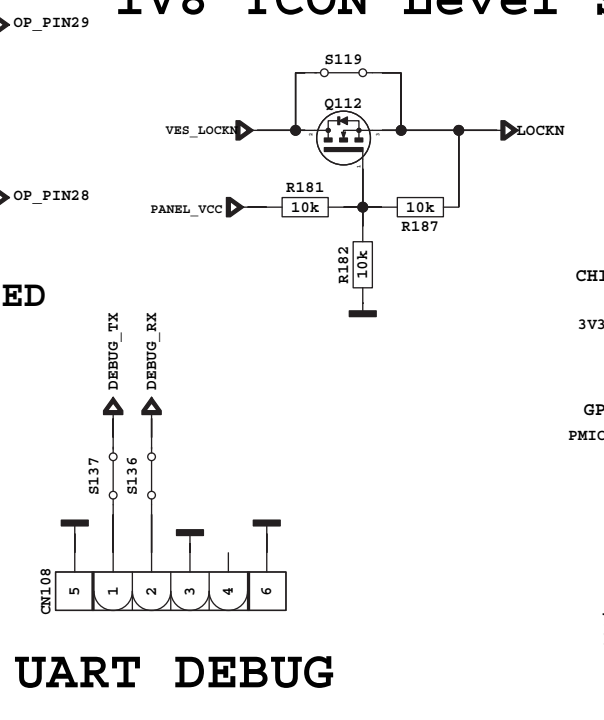
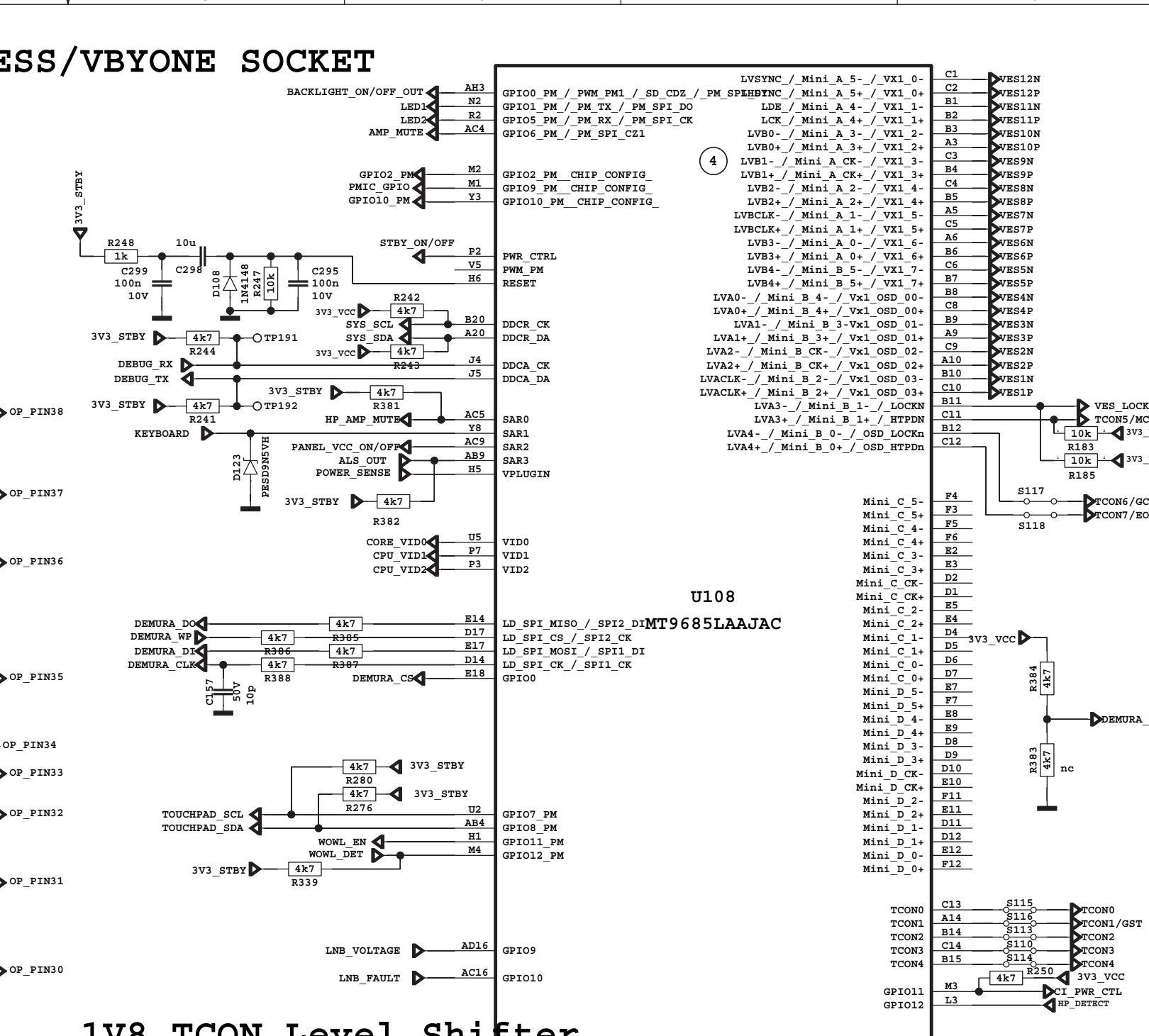
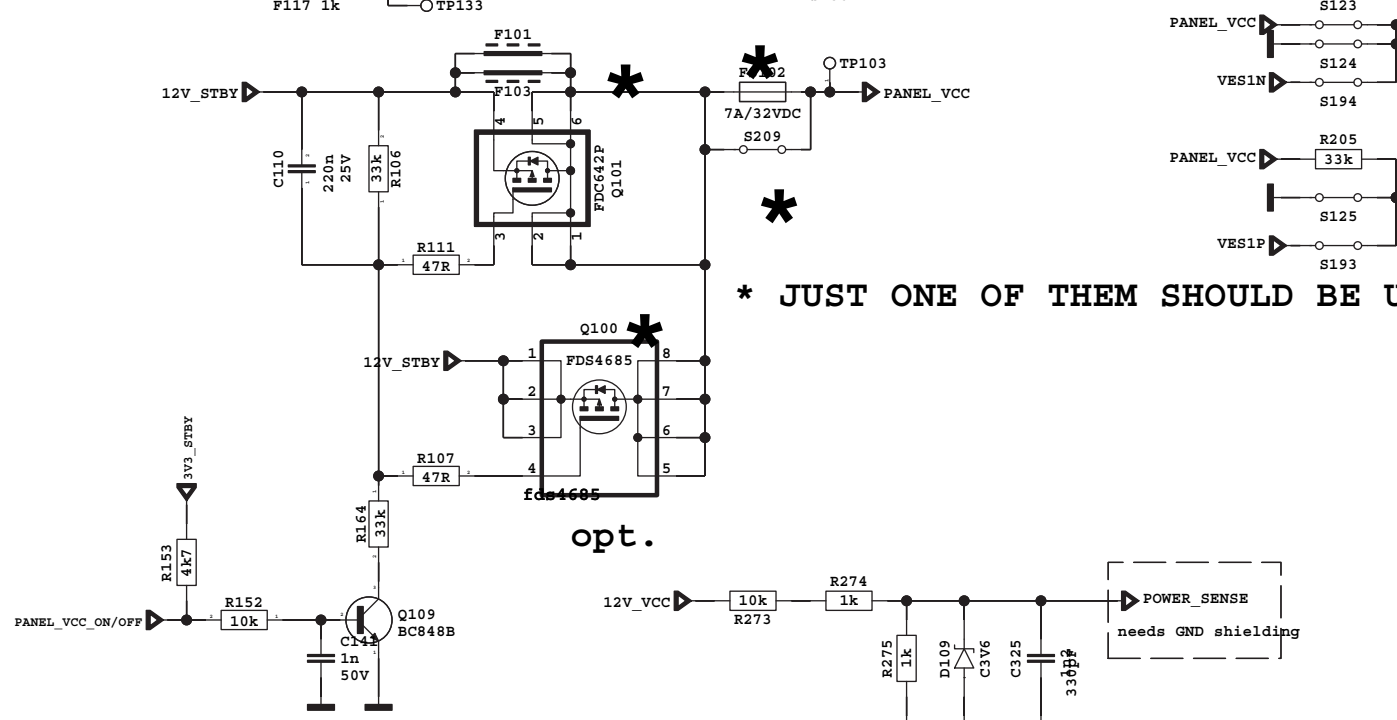
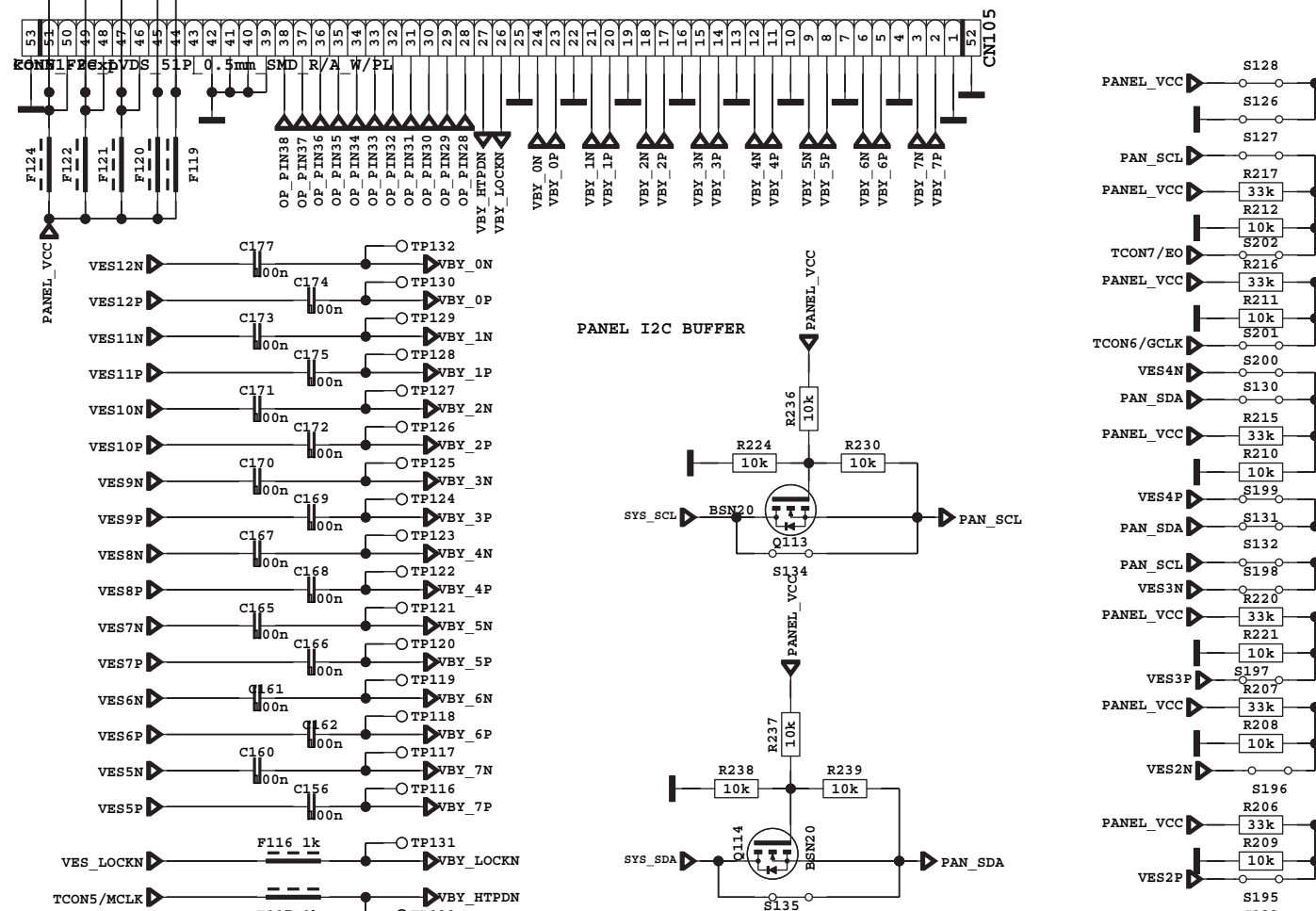
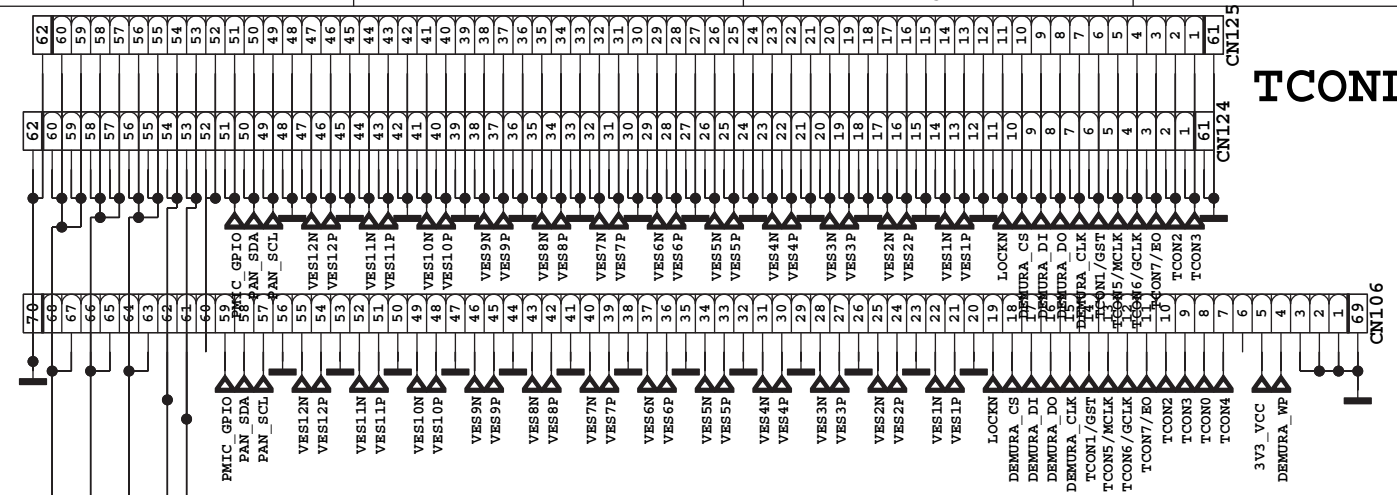
## 3v3 Sat Decoupling



# LNBp



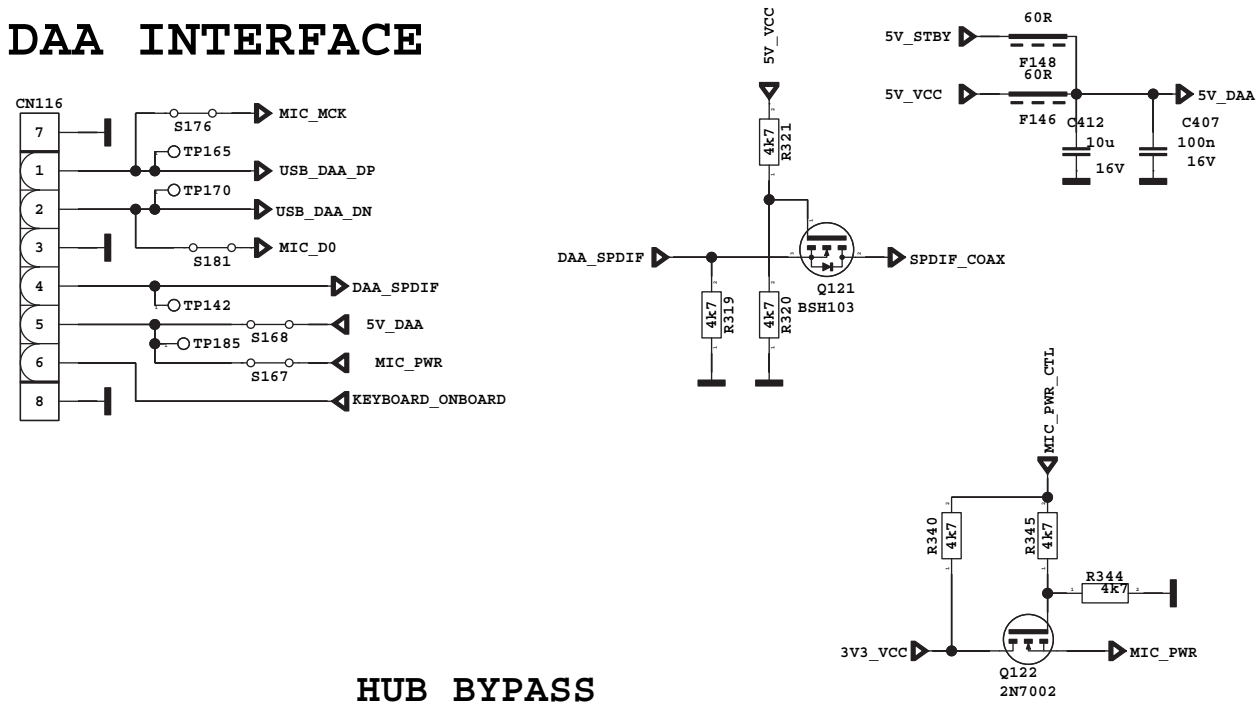
# TCONLESS/VBYONE SOCKET



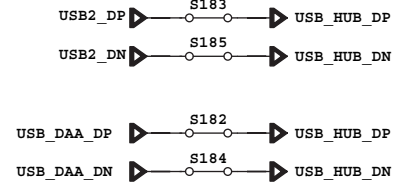
## UART DEBUG

Value Description  
3: Boot ARM boot from ROM; outer storage is MMC

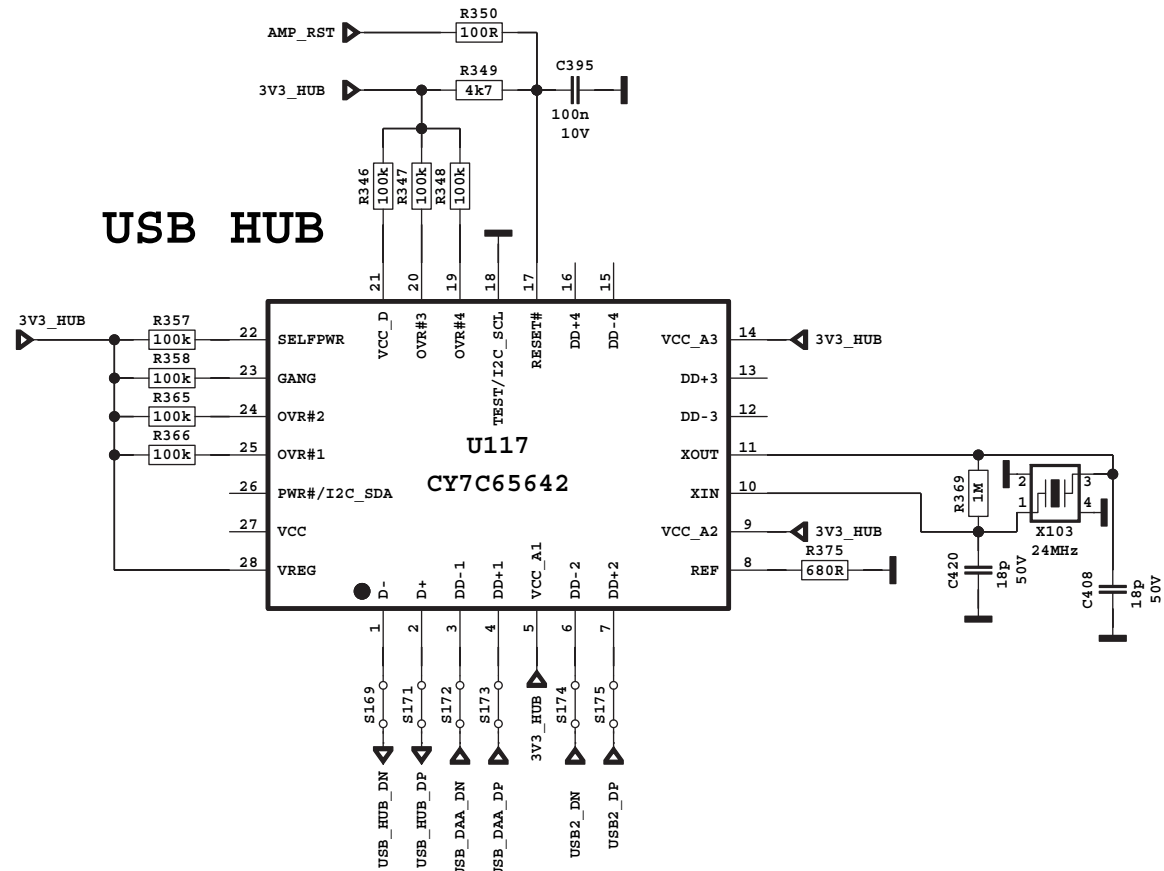
# DAA INTERFACE



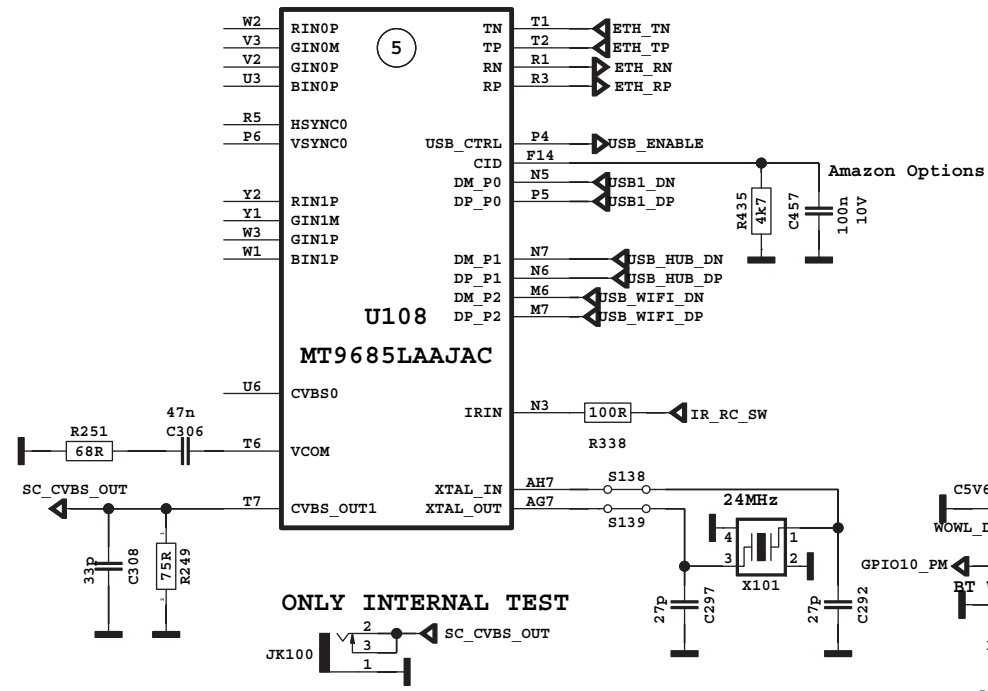
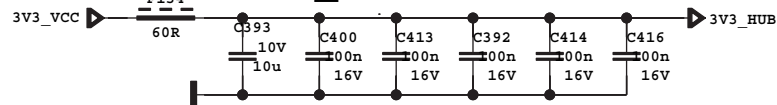
## HUB BYPASS



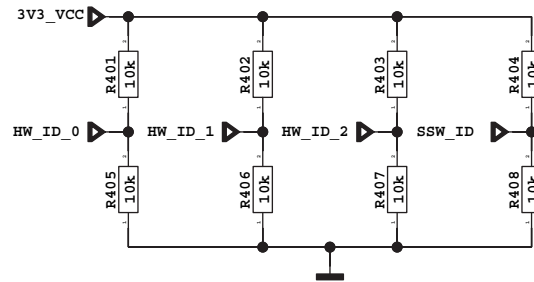
## USB HUB



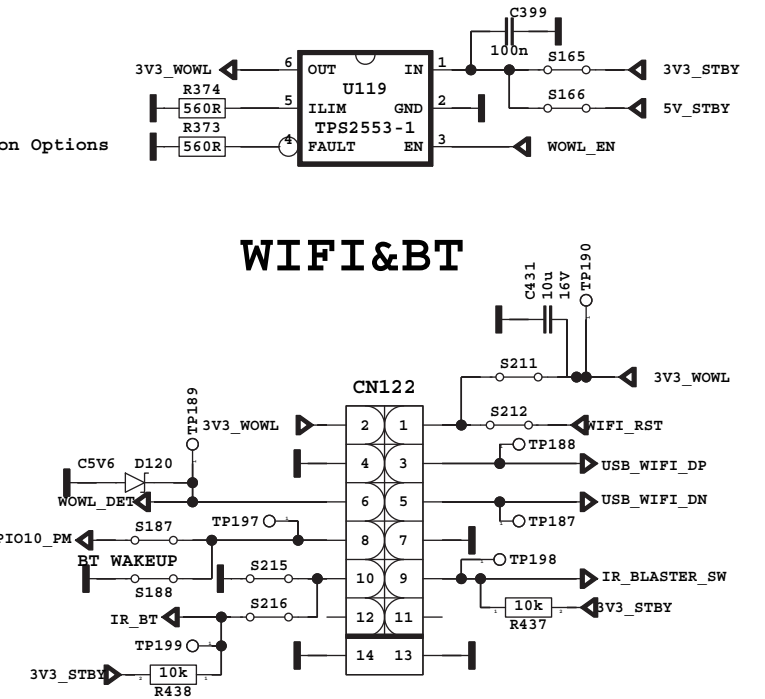
## 3v3\_HUB Decoupling



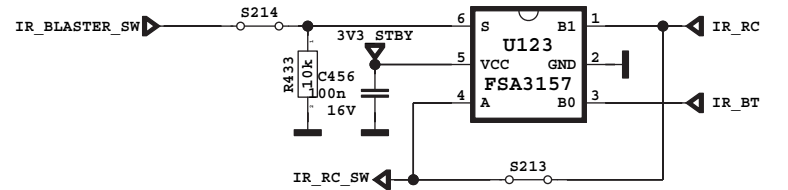
## Amazon Options



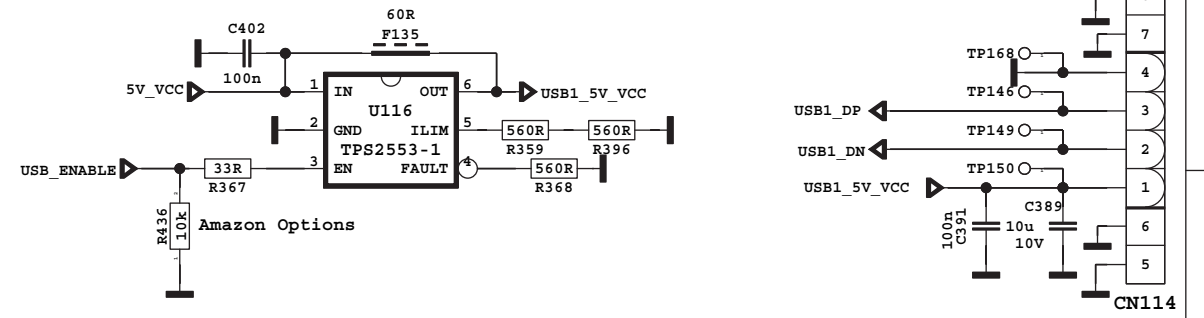
## WIFI&BT



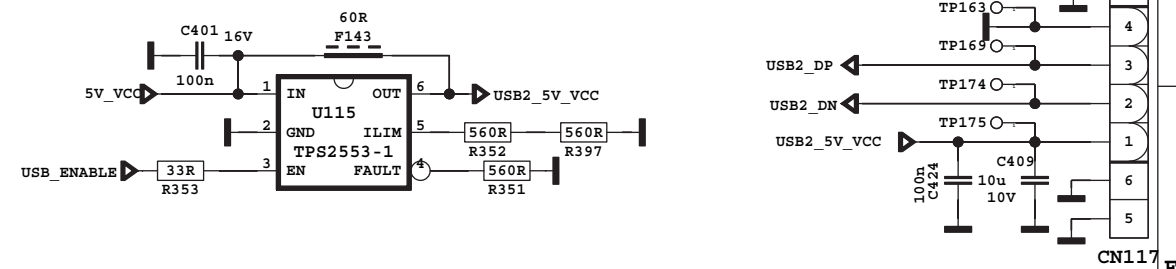
## Amazon Options



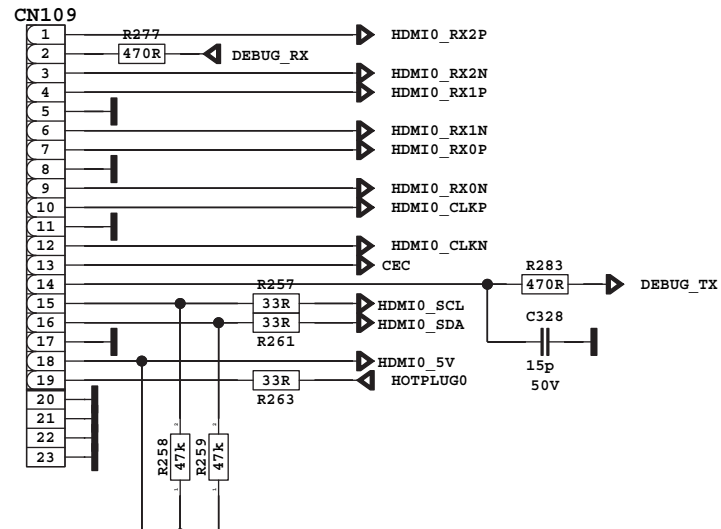
## USB1 2.0



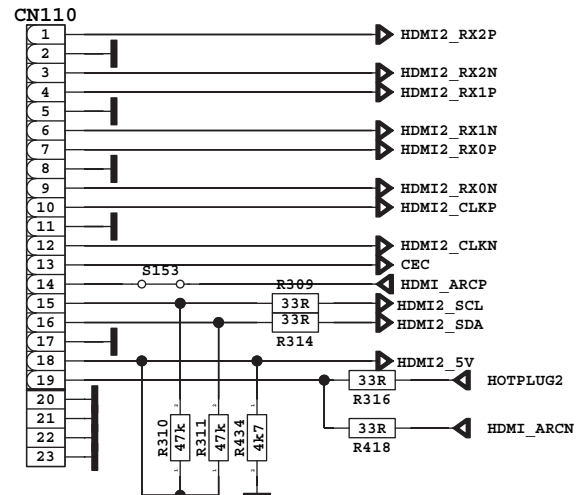
## USB2 2.0



# HDMI1 (SIDE)

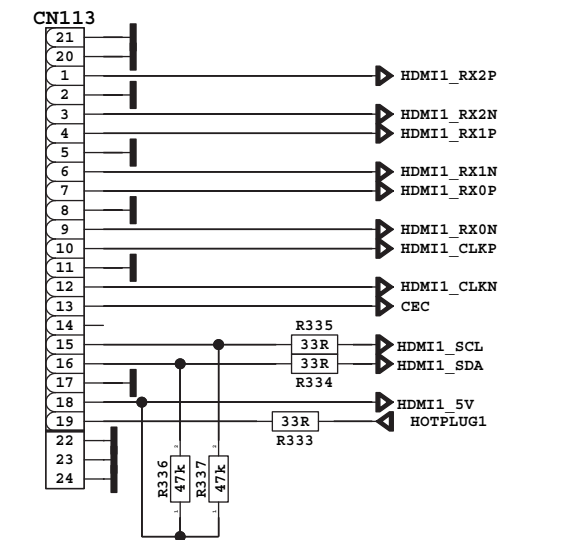


# HDMI2 (SIDE ARC)

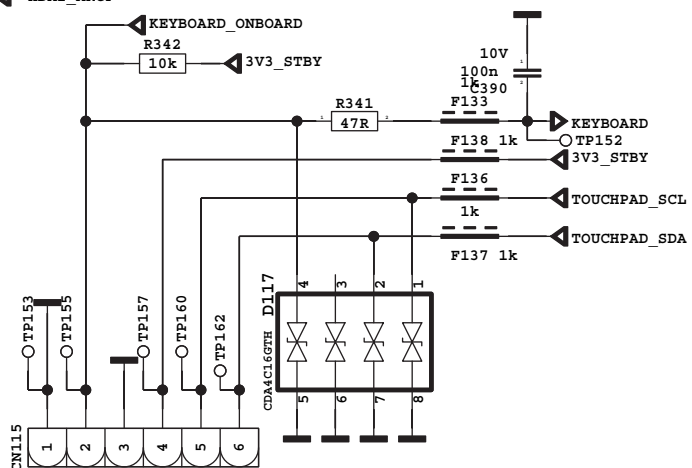


# e-ARC

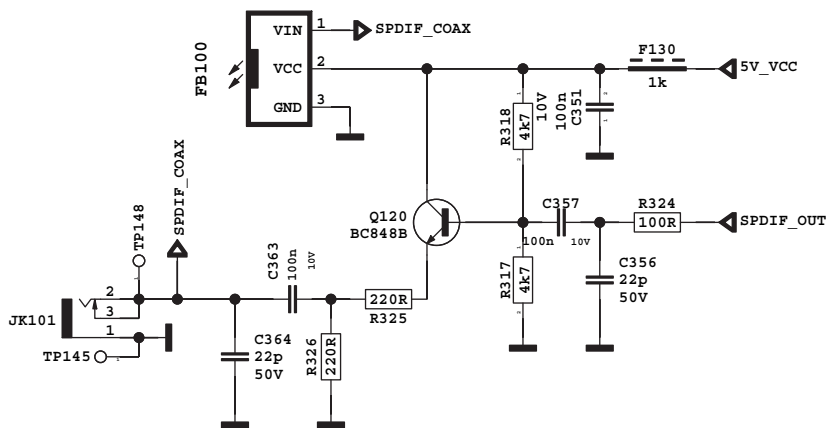
# HDMI3 (BACK)



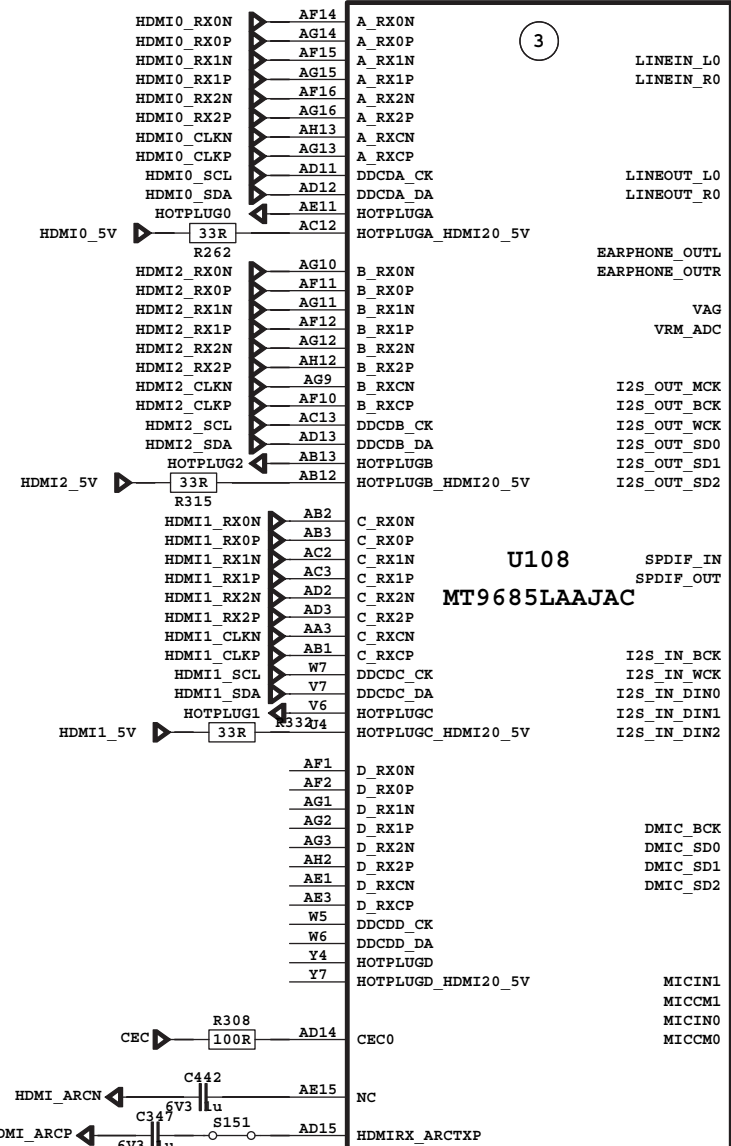
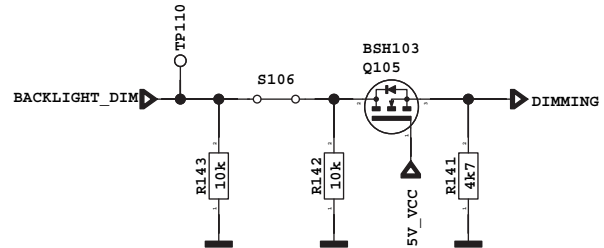
# KEYBOARD



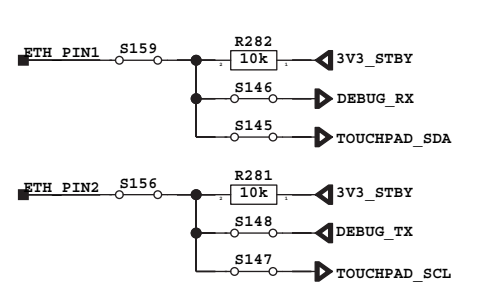
# SPDIF OUT



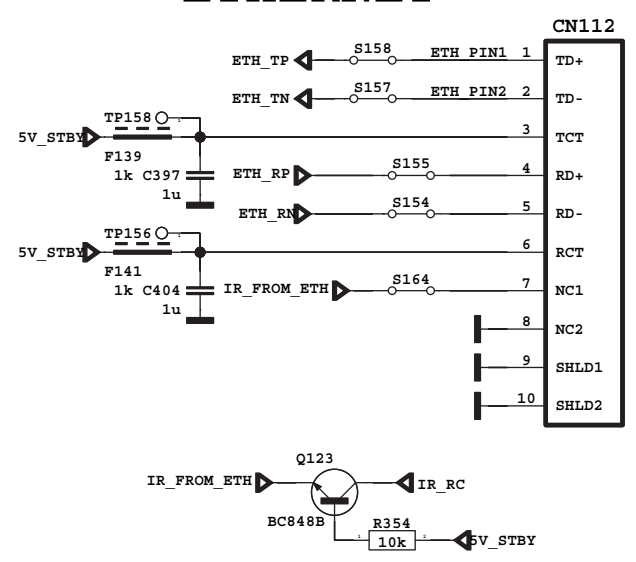
# DIMMING



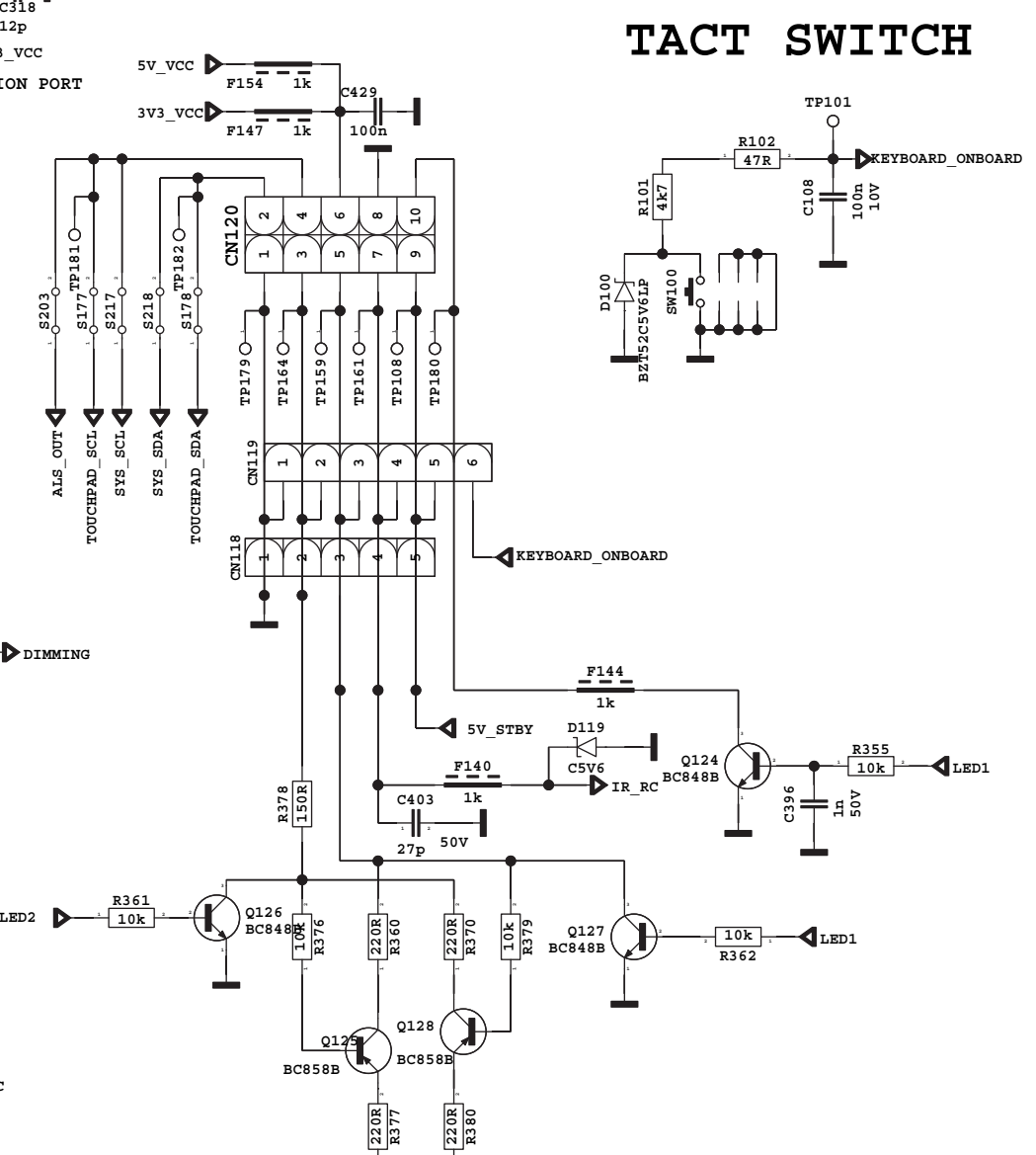
# \*\*\*HOTEL TV OPTIONS\*\*\*



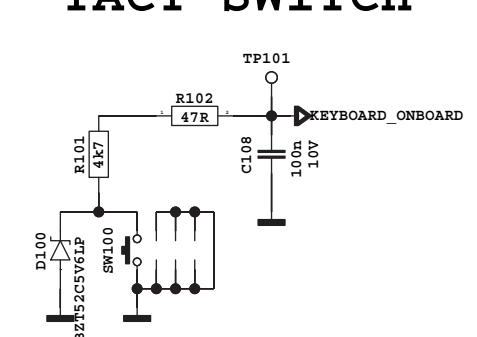
# ETHERNET



# LED&IR



# TACT SWITCH



EMMC D0	AF28	EMMC IO0 / EMMC D0 / NAND-D4
EMMC D1	AE28	EMMC IO1 / EMMC D1 / NAND-D3
EMMC D2	AE27	EMMC IO2 / EMMC D2 / NAND-D2
EMMC D3	AF27	EMMC IO3 / EMMC D3 / NAND-D5
EMMC D4	AG28	EMMC IO4 / EMMC D4 / NAND-D6
EMMC D5	AG27	EMMC IO5 / EMMC D5 / NAND-D7
EMMC D6	AD27	EMMC IO6 / EMMC D6 / NAND-D0
EMMC D7	AE26	EMMC IO7 / EMMC D7 / NAND-D1
EMMC DS	AH27	EMMC IO8 / EMMC DS / NAND-DQS
EMMC CMD	AF26	EMMC IO9 / EMMC CMD / NAND-CEZ
EMMC CLK	AH26	EMMC IO10 / EMMC CLK / NAND-REZ
EMMC RST	AG26	EMMC IO11 / EMMC RSTN / NAND-REZ

PCM A0	AF18	PCM A0
PCM A1	AA26	PCM A1
PCM A2	AF19	PCM A2
PCM A3	AA27	PCM A3
PCM A4	AB27	PCM A4
PCM A5	AF23	PCM A5
PCM A6	AE24	PCM A6
PCM A7	AG23	PCM A7
PCM A8	AF21	PCM A8
PCM A9	AG22	PCM A9
PCM A10	AF20	PCM A10
PCM A11	AB26	PCM A11
PCM A12	AD24	PCM A12
PCM A13	AD25	PCM A13
PCM A14	AC24	PCM A14

PCM D0	AE23	PCM D0
PCM D1	AH21	PCM D1
PCM D2	AH22	PCM D2
PCM D3	Y26	PCM D3
PCM D4	Y27	PCM D4
PCM D5	W28	PCM D5
PCM D6	W27	PCM D6
PCM D7	AF22	PCM D7

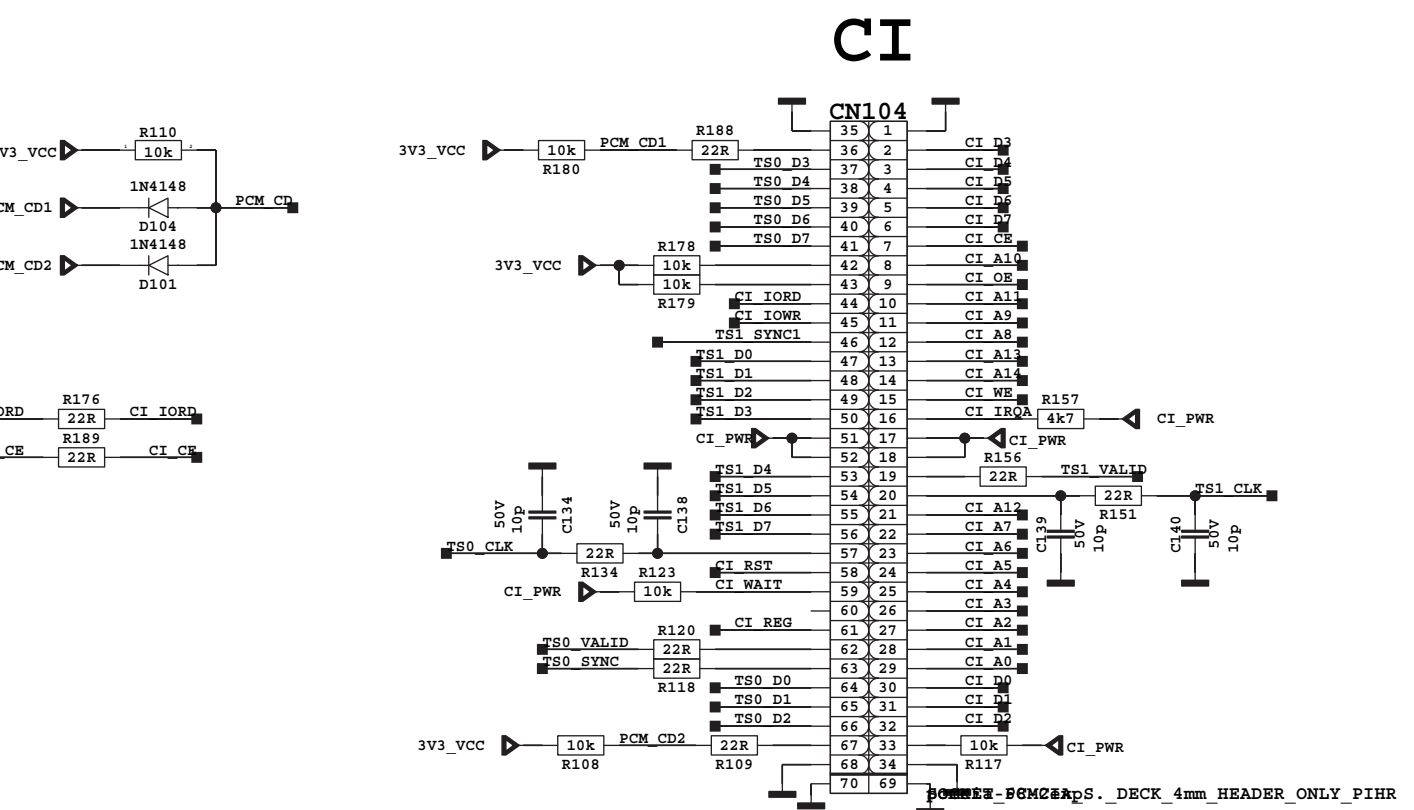
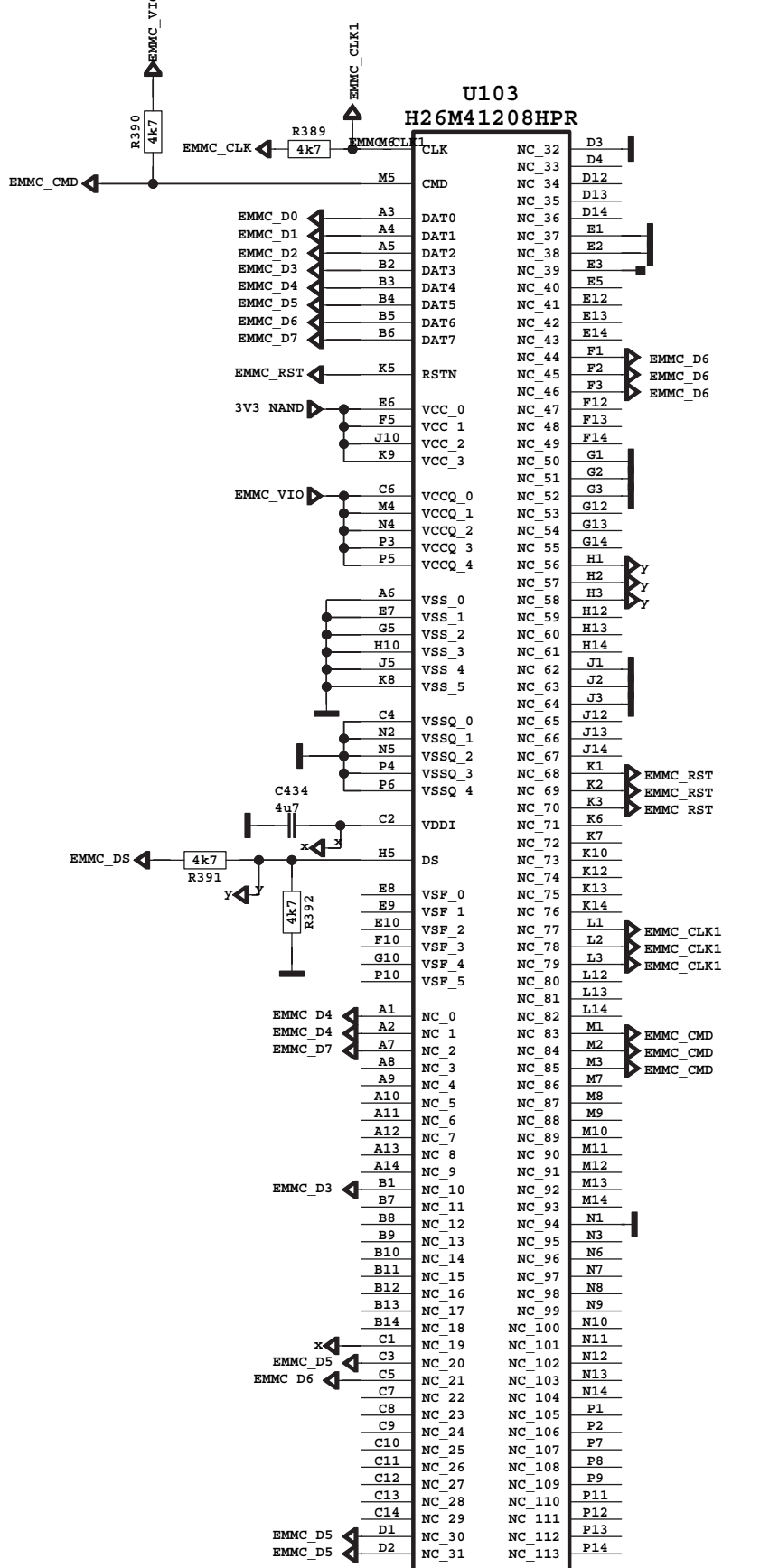
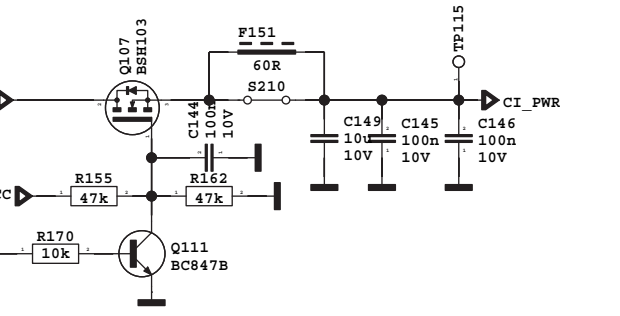
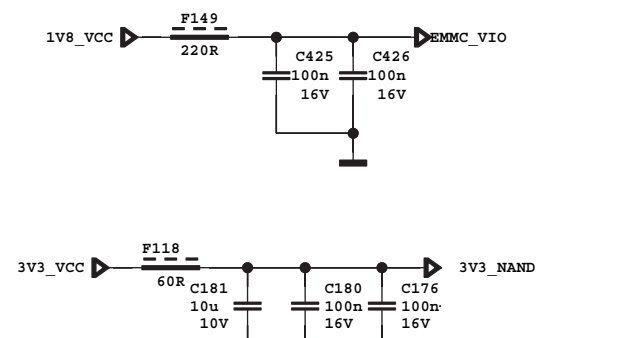
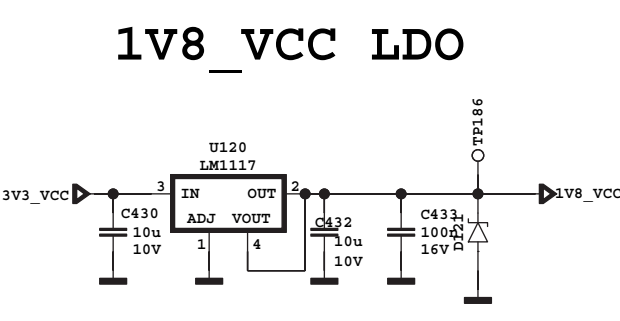
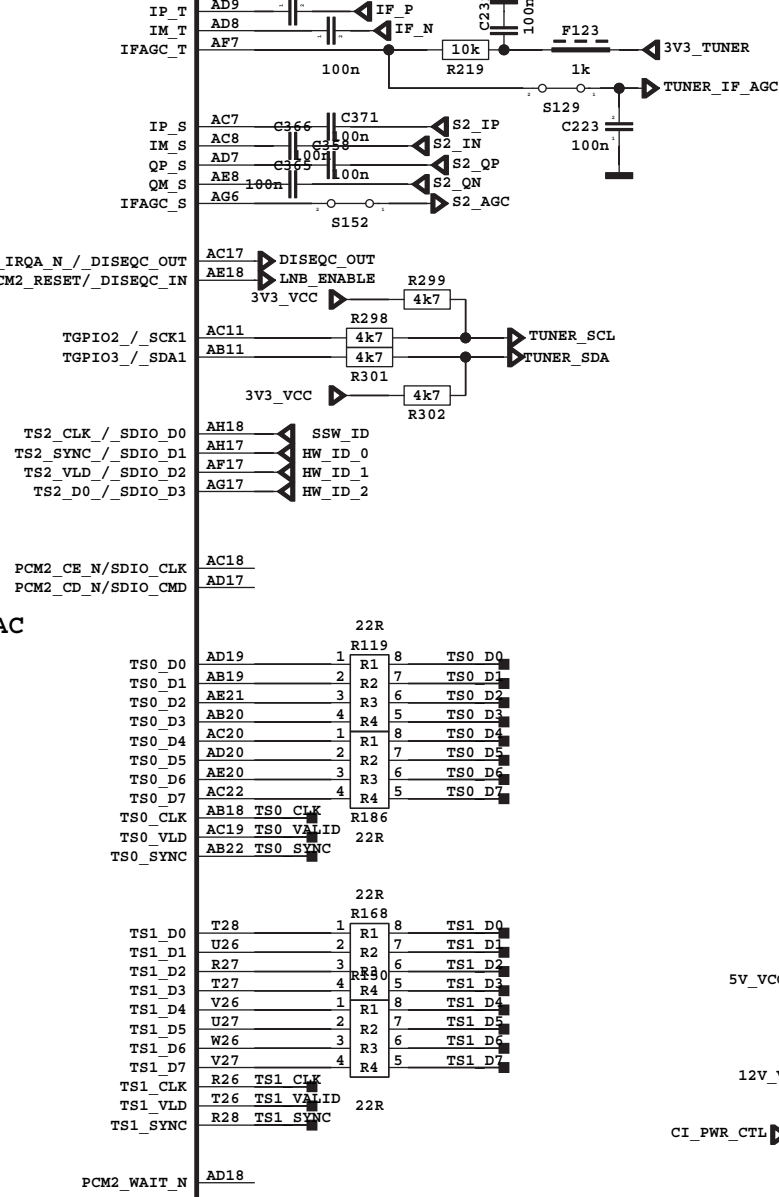
PCM CD	AG19	PCM CD_N
PCM CE	AD23	PCM CE_N
PCM IORD	AC25	PCM IORD_N
PCM IOWR	AD22	PCM IOWR_N
PCM IRQA	AG21	PCM IRQA_N
PCM OE	AC23	PCM OE_N
PCM REG	AG20	PCM REG_N
PCM RST	Y28	PCM RST_N
PCM WAIT	AG18	PCM WAIT_N
PCM WE	AB23	PCM WE_N

PCM A0	8	R1	1	CI A0
PCM A1	7	R2	2	CI A1
PCM A2	6	R3	3	CI A2
PCM A3	5	R4	4	CI A3

PCM A4	8	R1	1	CI A4
PCM A5	7	R2	2	CI A5
PCM A6	6	R3	3	CI A6
PCM A7	5	R4	4	CI A7

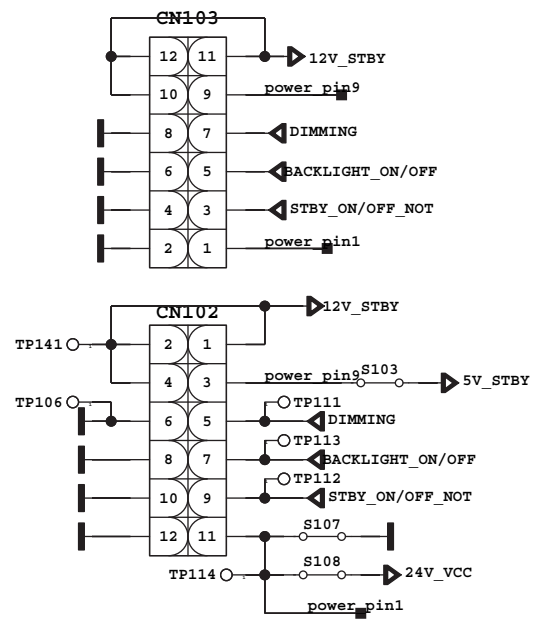
PCM A8	8	R1	1	CI A8
PCM A9	7	R2	2	CI A9
PCM A10	6	R3	3	CI A10
PCM A11	5	R4	4	CI A11

PCM A12	8	R1	1	CI A12
PCM A13	7	R2	2	CI A13
PCM A14	6	R3	3	CI A14
PCM IRQA	7	R1	1	CI IRQA

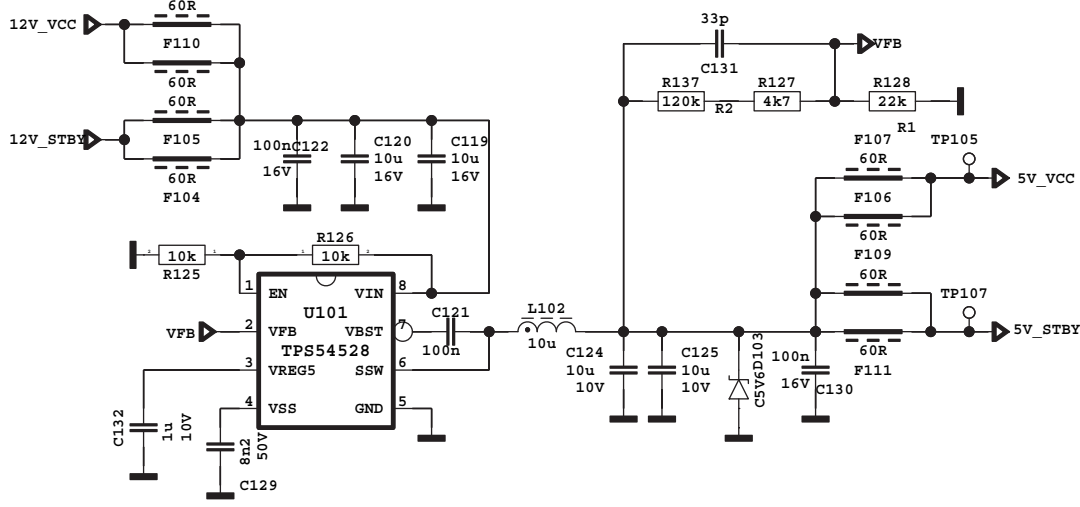




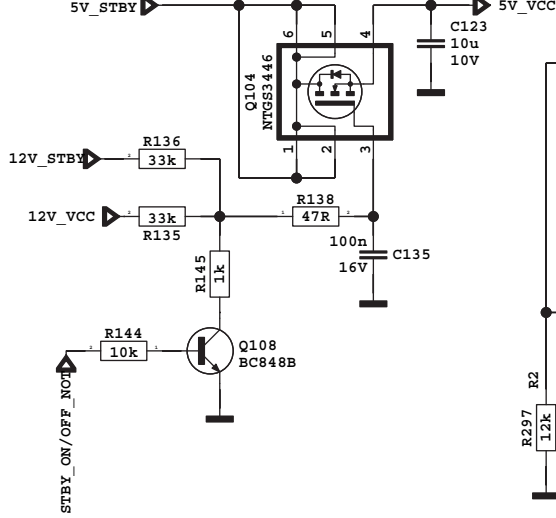




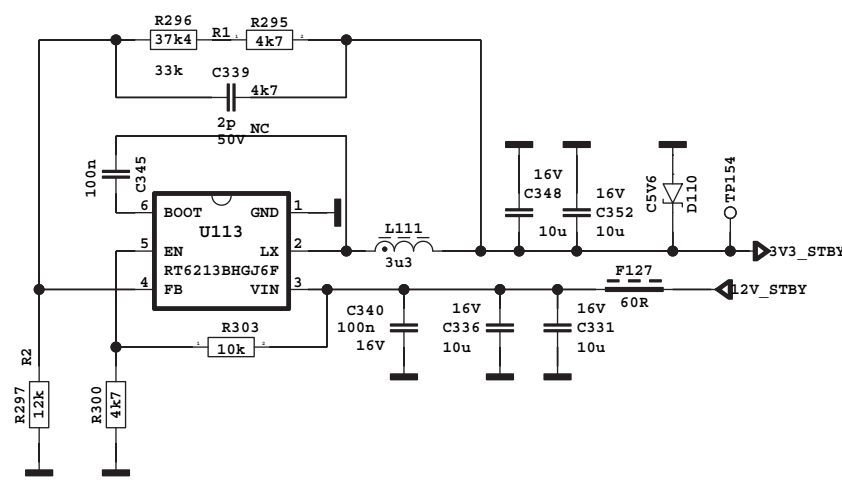
### 5V\_STBY/VCC STEP-DOWN (3A)



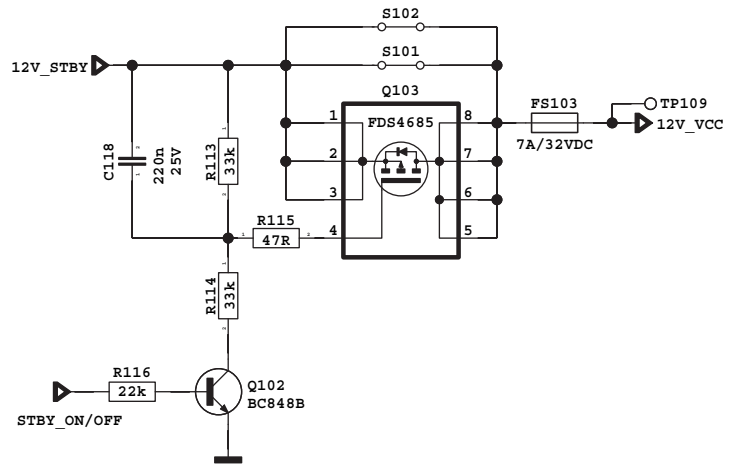
### 5V\_VCC SWITCH



### 3V3\_STBY DC/DC (2A)



### 12V\_VCC SWITCH



### 3V3\_VCC DC/DC (3A)

